



INSTRUCTION MANUAL

Quick connection double insulated Power Supplies

Thank you for choosing this high quality 24Volt AC plastic cased Power Supply. Before attempting to connect or operate this product, please read these instruction carefully.

General

This CLASS II, EN 60950-1 designed unit is protected by a 3Amp mains fuse housed in the mains plug along with a 130 Degree C thermal fuse integrated in to the low voltage mains transformer itself. This type of unit can supply 24Vac at 1500mA when connected to a standard 230Vac UK mains outlet. It is designed with reliability and ease of installation in mind. The Power Supply comes in a enclosed plastic case with integral UK mains and sprung loaded output terminals.

Features

1. Double insulated plastic case.
2. Integral UK mains lead & plug.
3. Integral sprung loaded output terminal block.
4. Connects directly to a standard 230Vac mains socket.
5. The unit is protected from Live Mains by a 1inch 3Amp fuse.

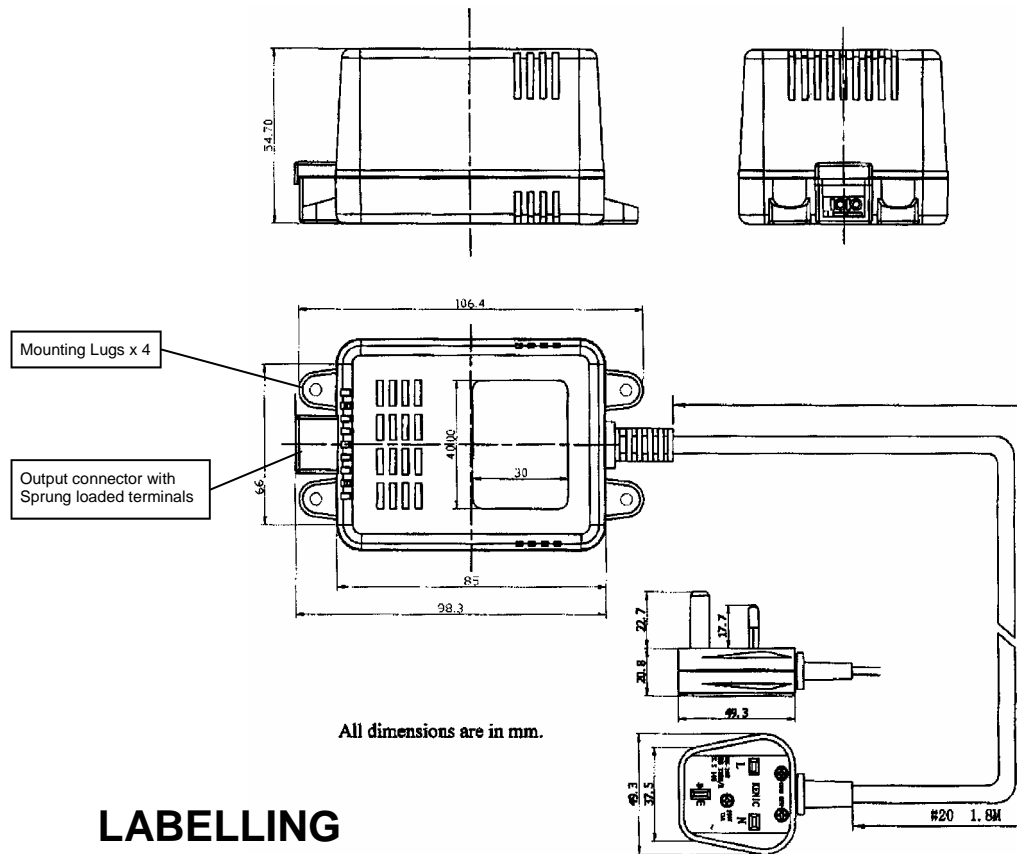


Installation & Connections

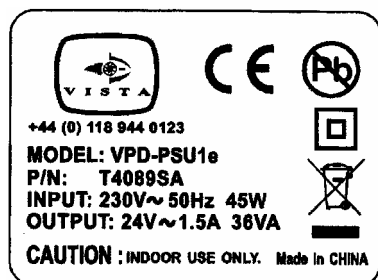
WARNING ! : Never try to make a connection to the sprung loaded output terminals while the unit is plugged in and powered up. Always turn the power off at the socket or remove the mains plug from the socket. This product is designed for indoor use only.

1. Unit must be situated within 2 metres of a UK mains socket.
2. Unit can be screwed in place if required via the four mounting lug holes.
3. Only use insulated wire to connect to the output terminals.
4. Strip back insulated wire 5mm, push down button on sprung loaded output connector and insert the bare conductor in to the hole, then release the button to clamp the wire in place. Repeat this procedure to connect the second wire to the output terminal block.
5. The unit can now be plugged in and turned on.

CASE DRAWING



LABELLING



Vista
 Norbain House
 Eskdale Road
 Winnersh Triangle
 WOKINGHAM
 Berkshire
 RG41 5TS

Tel: +44 (0) 118 944 0123
 Fax: +44 (0) 119 944 0999
www.vista-cctv.com