

Sunshield • Protects against solar rays and allows a reduction of internal temperature from 5° up to 10°C.

Heating • Circuit made up of a thermostatically controlled heating element PTC, (Ton 15°C+/-3°C [59°F+/-37°F] Toff 22°C +/-3°C [71°F+/-37°F]). It is available in 12Vdc/24Vac, max 20W or 115/230Vac, max 40W.

Blower • Cooling ventilator with thermostat and air filter (Ton ≤ 35°C+/-3°C, 95°F+/-37°F; Toff ≥ 20°C+/-3°C, 68°F+/-37°F). It is available in 12Vdc, 24Vac and 230Vac versions, pre-installed in the housing or as optional kit. Blower consumption 4W max. (Not suitable in case of using the bracket with internal cable channel).

Camera power supply • Camera feeding circuit, which can be installed inside the housing, available in different versions, 100-240Vac or 230Vac input and 24Vac or 12Vdc output.

Weatherproof junction box • External junction box, weatherproof standard IP55, allowing the housing of wiring harnesses or auxiliary cards. The model containing the camera power supply is available in the 100-240Vac input, 50/60Hz output 12Vdc, 1A max version or 230Vac input, 50/60Hz output 24Vac, 400mA max version. Supplied with 4 PG9 cable glands.

Double heating • Circuit made up of a thermostatically controlled double PTC (Ton 15°C+/-3°C, 59°F+/-37°F; Toff 22°C+/-3°C, 71°F+/-37°F) with total power of 80W max, 115/230Vac, for installations where temperatures are very rigorous. Operating temperatures down to -40°C (-40°F). Available for HEG and HEP housings.

Triple heating • Circuit made up of a thermostatically controlled triple fan-assisted PTC (Ton 15°C+/-3°C, 59°F+/-37°F; Toff 22°C+/-3°C, 71°F+/-37°F) with total power of 120W max, 115/230Vac. Operating temperatures down to -50°C (-58°F). Available for HEG housing.

Wiper • Wiper kit which can be directly installed on the housing body. It completes the support for the pump washing injector. Available in 24Vac and 230Vac versions, 7W max. Available for HEG series housing.

Washer and tank • Glass washing kit available with 5 or 23l (1.3 or 6gal) tank. The pump is available in 24Vac and 230Vac, and in 230Vac with high delivery, up to 30m (98ft). Available for HEG, HOV and HGV housings.

Optional board for wiper and washer remote control of stand-alone housings, via RS485. Compatible only with UPTWAS pumps.

Fan assisted heater • It allows forced air circulation and homogeneous temperature inside the housing. Available for VERSO, VERSO COMPACT, HOV, HEB, HEA, HEK, HEM housings.

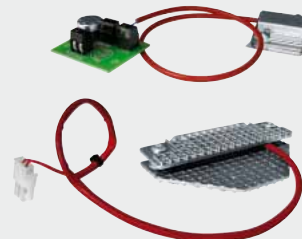
Alarm tamper switch • Alarm contact which verifies tampering of the housing. Available for VERSO and HOV housings.

Sealing rings IP66/IP67 for brackets with internal cable channel
 • To be used with brackets WBOVA2 and WCM4A2 for IP66/IP67 weatherproof protection.

- Covering any installation requirement
- Supplied factory-installed or as a simple kit

2
CAMERA HOUSINGS

HEATERS



CAMERA POWER SUPPLIES



WIPER



WEATHERPROOF JUNCTION BOX



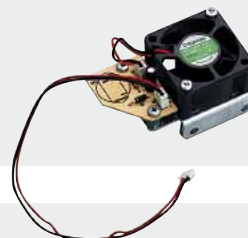
WASHER PUMP AND TANKS



BOARD FOR WIPER / WASHER CONTROL



FAN ASSISTED HEATER



ALARM TAMPER SWITCH



SEALING RINGS



HOUSINGS AND ACCESSORIES CHART

	H0V	VERSO COMPACT	VERSO	HGV	HEG	HEB
Sunshield *	OHOVS32A000	OHPVS36A000	OHPVS42A000	-	OHEGS37A000 OHEGS47A000	OHEBS26A000 OHEBS32A000
Heater 12Vdc/24Vac	OHEH27	OHEH27	OHEH27	-	OHEH025B	OHEH01B
Heater 115/230Vac	OHEH26	OHEH26	OHEH26	-	OHEH024B	OHEH02B
Blower 12Vdc	-	-	-	-	-	OHEBVFV1
Blower 24Vac	-	-	-	-	-	OHEBVF2
Blower 230Vac	-	-	OHPVCF3	-	-	OHEBVF3
Camera power supply 12Vdc	OHOVPS1B	OHEPS19B	OHEPS19B	-	OHEPS19B	OHEPS01B
Camera power supply 24Vac	OHOVPS2B	OHEPS20	OHEPS20	-	OHEPS20	OHEPS02B
Weatherproof junction box IP55	OHEGBB	OHEGBB	OHEGBB	OHEGBB	OHEGBB	OHEGBB
Power supply 12Vdc on junction box	OHEGBPS1B	OHEGBPS1B	OHEGBPS1B	-	OHEGBPS1B	OHEGBPS1B
Power supply 24Vac on junction box	OHEGBPS2B	OHEGBPS2B	OHEGBPS2B	-	OHEGBPS2B	OHEGBPS2B
Wiper 24Vac	Pre-arranged	-	-	Pre-arranged	VIP6A2	-
Wiper 230Vac	Pre-arranged	-	-	Pre-arranged	VIP6A1	-
Washer + reservoir, 24Vac	VIP5WAS02 VIP23WAS02	-	-	VIP5WAS02 VIP23WAS02	VIP5WAS02 VIP23WAS02	-
Washer + reservoir, 230Vac	VIP5WAS01 VIP23WAS01 VIP23WASA01	-	-	VIP5WAS01 VIP23WAS01 VIP23WASA01	VIP5WAS01 VIP23WAS01 VIP23WASA01	-
Washer + reservoir, 24Vac only with DTWRX	UPTWAS02C	-	-	UPTWAS02C	UPTWAS02C	-
Washer + reservoir, 230Vac only with DTWRX	UPTWAS01C UPTWASA01C	-	-	UPTWAS01C UPTWASA01C	UPTWAS01C UPTWASA01C	-
Remote control board for wiper + washer of UPTWAS serie	DTWRX	-	-	DTWRX	DTWRX	-
Fan assisted heater 12Vdc	OHOW1	-	-	-	-	-
Fan assisted heater 24Vac	OHOW2	OHPV2	OHPV2	-	-	Pre-arranged
Fan assisted heater 230Vac	OHOW3	OHPV3	OHPV3	-	-	-
Alarm tamper switch	OHOVTA1	-	OHPVTA1	-	-	-

* Combine the sunshield according the housing code (Es: housing HEA26K1A000 combined to sunshield OHEAS26A000).

** The housing HET10 is not supplied with heater.

*** The housing HEM30 is supplied with pre-arranged fan assisted heater 24Vac.



HOUSINGS AND ACCESSORIES CHART					
	HEP	HEA	HEK	HEM	HET
Sunshield *	OHEPS32A000	OHEAS26A000 OHEAS30A000	OHEKS26A000 OHEKS30A000	OHEMS26A000 OHEMS30A000	OHETS10A000 OHETS16A000 OHETS22A000 OHETS30A000
Heater 12Vdc/24Vac	OHEH05B	OHEH01B	OHEH01B	OHEH01B	OHEH01B **
Heater 115/230Vac	OHEH06B	OHEH02	OHEH02B	OHEH02B	OHEH02B **
Blower 12Vdc	OHEPVF1A	OHEAVF1A	OHEKVF1E	OHEMV1A	-
Blower 24Vac	OHEPVF2A	OHEAVF2A	OHEKVF2E	OHEMV2A	-
Blower 230Vac	OHEPVF3A	OHEAVF3A	-	-	-
Camera power supply 12Vdc	OHEPS24	OHEPS05	OHEPS10B	OHEPS05	-
Camera power supply 24Vac	OHEPS25	OHEPS06	OHEPS11B	OHEPS06	-
Weatherproof junction box IP55	OHEGBB	OHEGBB	OHEGBB	OHEGBB	OHEGBB
Power supply 12Vdc on junction box	OHEGBPS1B	OHEGBPS1B	OHEGBPS1B	OHEGBPS1B	OHEGBPS1B
Power supply 24Vac on junction box	OHEGBPS2B	OHEGBPS2B	OHEGBPS2B	OHEGBPS2B	OHEGBPS2B
Wiper 24Vac	-	-	-	-	-
Wiper 230Vac	-	-	-	-	-
Washer + reservoir, 24Vac	-	-	-	-	-
Washer + reservoir, 230Vac	-	-	-	-	-
Washer + reservoir, 24Vac only with DTWRX	-	-	-	-	-
Washer + reservoir, 230Vac only with DTWRX	-	-	-	-	-
Remote control board for wiper + washer of UPTWAS serie	-	-	-	-	-
Fan assisted heater 12Vdc	-	-	-	-	-
Fan assisted heater 24Vac	-	Pre-arranged	Pre-arranged	- ***	-
Fan assisted heater 230Vac	-	-	-	-	-
Alarm tamper switch	-	-	-	-	-

* Combine the sunshield according the housing code (Es: housing HEA26K1A000 combined to sunshield OHEAS26A000).

** The housing HET10 is not supplied with heater.

*** The housing HEM30 is supplied with pre-arranged fan assisted heater 24Vac.



TECHNICAL DATA

GENERAL

Sunshield

Extruded aluminium

Epoxy polyester powder painting, RAL9002 colour

In ABS, RAL9002 colour for HOV, VERSO, VERSO COMPACT, HGV.

Heater Ton 15°C+/-3°C (59°F+/-37°F) Toff 22°C+/-3°C (71°F+/-37°F)

- IN 12Vdc/24Vac, consumption 20W max

- IN 115/230Vac, consumption 40W max

Blower with thermostat air filter, Ton 35°C+/-3°C (95°F+/-37°F) Toff 20°C+/-3°C (71°F+/-37°F)

- IN 12Vdc, consumption 4W max

- IN 24Vac, consumption 4W max

- IN 230Vac, consumption 4W max, complete with voltage transformer

Not compatible with bracket with internal cable channel

Camera power supply

- IN 100-240Vac - OUT 12Vdc, 50/60 Hz, 1A

- IN 230Vac - OUT 12Vdc, 50/60Hz, 400mA

- IN 230Vac - OUT 24Vac, 50/60Hz, 400mA

Camera power supply in weatherproof box

- IN 100-240Vac - OUT 12Vdc, 50/60 Hz, 1A

- IN 230Vac - OUT 24Vac, 50/60Hz, 400mA

Weatherproof junction box

4 PG9 cable glands

IP55

Wiper

Entirely built in reinforced polypropylene

RAL9002 colour

IP66

Dimensions (WxHxL): 99x114x209mm (3.8x4.4x8.2 in) (not comprehensive of blade)

Connector 3+1 PINS

IN 230Vac, consumption 7W max

IN 24Vac, consumption 7W max

Operating temperature: -20°C / +60°C (-4°F / +140°F)

Supplied with instruction manual

Washer pump and tank of 5l

Polyethylene tank, stainless steel cage

Dimensions (WxHxL): 217x272x254mm (8.5x10.7x10.0in)

Tank capacity: 5l (1.3gal)

Delivery head: max 5m (16ft)

Tube length: 4m (13ft)

IN 230Vac, consumption 12W max

IN 24Vac, consumption 12W max

IP56

Supplied with instruction manual and antifreezing liquid

Washer pump and tank of 23l

Polyethylene tank, stainless steel cage

Dimensions (WxHxL): 301x410x347,5mm (11.8x16x13.7in)

Tank capacity: 23l (6gal)

Delivery head: max 5m (16ft)

Tube length: 4m (13ft)

IN 230Vac, consumption 12W max

IN 24Vac, consumption 12W max

IP56

Supplied with instruction manual and antifreezing liquid

Washer pump and tank of 23l with high delivery up to 30m

Polyethylene tank, stainless steel cage

Dimensions (WxHxL): 301x635x269mm (11.8x25x10.6in)

Tank capacity: 23l (6gal)

Delivery head: max 30m (98ft)

Tube length: 30m (98ft)

IN 230Vac, consumption 600W max

IP45

Supplied with instruction manual and antifreezing liquid

Board for remote control of wiper and washer pump

2 functions: WIPER, WASHER

32 selectable address through Dip Switch

Serial input RS485

LED indicating stand-by status

LED indicating command reception

External dimensions: 43x56x13mm (1.8x2.2x0.5in)

PART NUMBER

OHEGBB	Weatherproof junction box IP55
OHEGBPS1B	Wide range camera power supply IN 100-240Vac - OUT 12Vdc in weatherproof box, 1A
OHEGBPS2B	Camera power supply IN 230Vac - OUT 24Vac in weatherproof box, 400mA
VIP6A1	Wiper kit 230Vac
VIP6A2	Wiper kit 24Vac
VIP5WAS01	Tank 5l (1,3gal), 230Vac washer pump



VIP5WAS02	Tank 5l (1,3gal), 24Vac washer pump
VIP23WAS01	Tank 23l (6gal), 230Vac washer pump
VIP23WAS02	Tank 23l (6gal), 24Vac washer pump
VIP23WASA01	Tank 23l (6gal), 230Vac washer pump, high delivery up 30m (98ft)
UPTWAS01C	Tank 23l (6gal), IN 230Vac washer pump (prearranged for DTWRX board)
UPTWAS02C	Tank 23l (6gal), IN 24Vac washer pump (prearranged for DTWRX board)
UPTWASA01C	Tank 23l (6gal), IN 230Vac washer pump, high delivery up 30m (98ft) (prearranged for DTWRX board)
DTWRX	Optional board for remote control of wiper and washer pump of the UPTWAS series
OWBIP2	Sealing rings kit (3xM16) to allow IP66/IP67 protection for WBOVA2, WCM4A2 brackets
OWBIP3	Sealing rings kit (1xM12 - 1xM16 - 1xM20) to allow IP66/IP67 protection for WBOVA2 and WCM4A2 brackets (for HOV Hi-PoE and VERSO Hi-PoE mod. 600)

For the power supply and heater codes refer to the relevant housing technical data sheet.

SPARE PARTS LIST

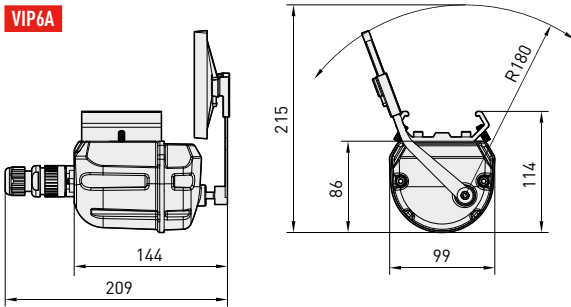
SPATER	Rubber wiper blade for VIP6A
OVIP6SPAHEG	Complete wiper blade for VIP6A

2

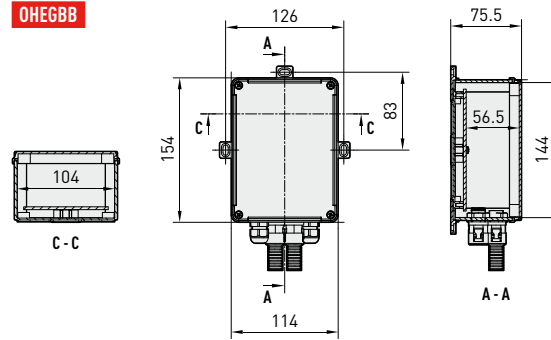
CAMERA HOUSINGS

	Unit Weight:	Package Weight:	Package Dimension (WxHxL):	Master Carton:
	OHEGBB 0.4kg / 0.8lb	OHEGBB 0.6kg / 0.1lb	OHEGBB 17x35x13cm / 6.7x13.8x5.1in	OHEGBB 16 units
	OHEGBPS 0.8kg / 1.7lb	OHEGBPS 1.0kg / 2.2lb	OHEGBPS 17x35x13cm / 6.7x13.8x5.1in	OHEGBPS 16 units
	VIP6A 0.7kg / 1.5lb	VIP6A 0.9kg / 1.9lb	VIP6A 14.5x15x27cm / 5.7x5.9x10.6in	VIP6A 15 units
	VIP5WAS 3.2kg / 7.0lb	VIP5WAS 3.7kg / 8.1lb	VIP5WAS 31x23.5x31cm / 12.2x9.3x12.2in	VIP5WAS01 -
	VIP23WAS01 5kg / 11lb	VIP23WAS01 6.5kg / 14.3lb	VIP23WAS01 37.5x31x50cm / 14.8x12.2x19.7in	VIP23WAS01 -
	UPTWAS01C 5kg / 11lb	UPTWAS01C 6.5kg / 14.3lb	UPTWAS01C 37.5x31x50cm / 14.8x12.2x19.7in	UPTWAS01C -
	VIP23WASA01 13.5kg / 29.8lb	VIP23WASA01 15.5kg / 34.2lb	VIP23WASA01 37.5x31x79cm / 14.8x12.2x31in	VIP23WASA01 -
	UPTWASA01C 13.5kg / 29.8lb	UPTWASA01C 15.5kg / 34.2lb	UPTWASA01C 37.5x31x79cm / 14.8x12.2x31in	UPTWASA01C -
	DTWRX 0.016kg/0.035lb	DTWRX -	DTWRX 8.5x5.5x11.5cm / 3.3x2.2x4.5ft	DTWRX -
	OWBIP3 0.1kg / 0.2lb	OWBIP3 0.1kg / 0.2lb	OWBIP3 8.5x 5.5x11.5cm / 3.4x2.2x4.5in	OWBIP3 30 units
	OWBIP2 0.1kg / 0.2lb	OWBIP2 0.1kg / 0.2lb	OWBIP2 8.5x 5.5x11.5cm / 3.4x2.2x4.5in	OWBIP2 30 units

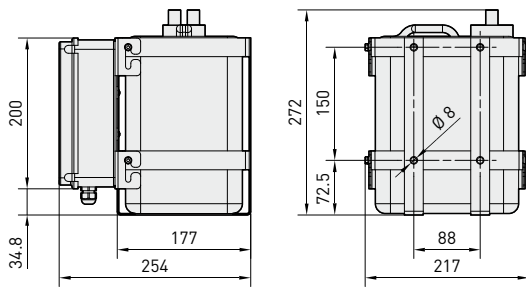
VIP6A



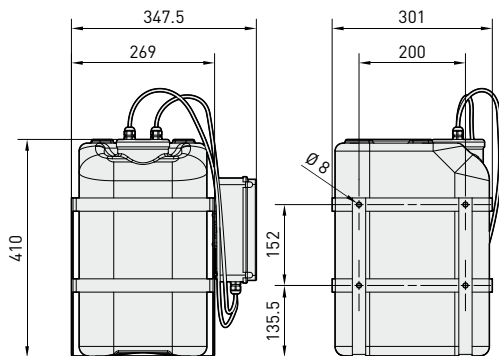
OHEGBB



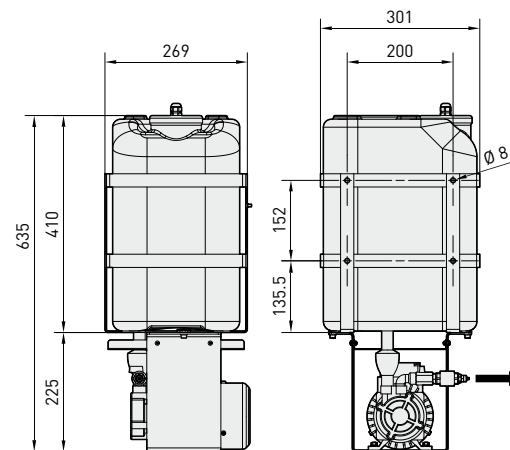
VIP5WAS



VIP23WAS



VIP23WASA01



The values are in millimeters.